



Temperature Screening Kiosk

SLIM FOOTPRINT, POWERFUL PREVENTION

Protecting Your Investment

Your people are your most valuable investment.

To help stem the crisis and optimize a return to business, hospitals, grocery stores, and retailers and a host of other companies will look to temperature screening as employees report to work and venues open up again. This first layer of screening can curb the spread of virus as well as prevent costly and time consuming contamination clean-up.

This solution is equipped with an infrared temperature sensor/detector and the system provides an alert if an individual is running a fever.

- Reduce risk of access by infected persons*
- Maintain a safe work/business environment
- More hygienic than thermometers that require physical contact
- Safer and more efficient than using a human resource to screen temperatures
- Avoid costly contamination clean-up
- Reduce stress and anxiety for employees and guests



Specifications:

- Uses an algorithm for object heat- and fast detection temperature accuracy
- +/- 0.5 degrees Celsius
- Android Operating system and Software included.
- 1 second refresh rate
- Scans people from 20 to 39 inches from kiosk
- This device meets FDA guidelines for non-medical screening purposes

*Medical testing is necessary to determine presence or absence of infectious disease.

Olea Kiosks. Redefining Self-Service Technology.

A CLOSER LOOK

AT IRVINE KIOSKS

STANDARD SPECS

- 22" Tablet
- Durable powder coat paint finish
- 16 Gauge Galvanized Steel
- Security Locks
- Internal 6-outlet power strip w/ surge protection
- Topple resistant base plate with ability to bolt to ground

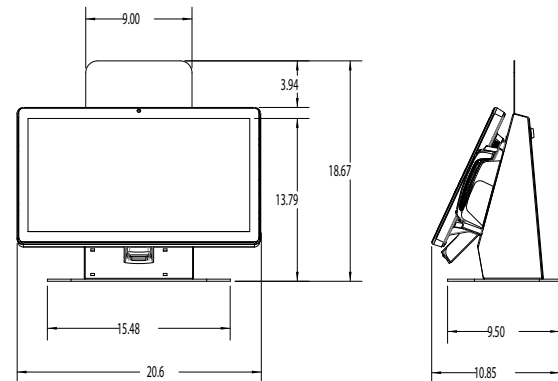
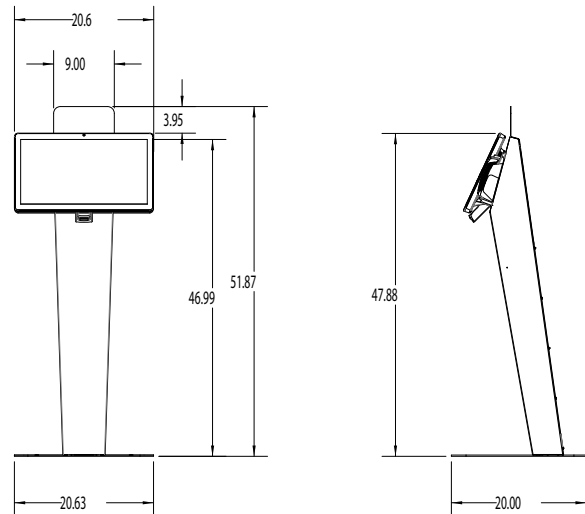
DIMENSIONS

Freestanding

- 20.6"w x 58.10"h x 20.00"d
- Base plate: 20.63"w x 20.00"d

Desktop

- 20.6"w x 18.67"h x 10.85"d
- Base plate: 15.48"w x 9.50"d



KIOSK TABLET

SPECIFICATIONS

Screen Size	21.5"	
Panel Info.	Resolution	1920 x 1080
	Brightness	250 cd/m ²
	Contrast ratio	1000:1
	Aspect Ratio	16:9
	Active Display Area	476.06 x 267.786mm
	Viewing angle	H:178° / V:178°
	Touch Tech.	10 point cap touch (reflective glass)
	Hardware & OS	CPU
RAM		2GB DDR3 (up to 4GB DDR3)
ROM		8GB (up to 16GB) eMMC Flash
OS		Android 5.1 (Upgradable to Android 7.1)
Video/ Image	Video format	H.265, VP8, RV, WMV, AVS, H.263, MPEG4, Up to 4K x 2K decoding, HTML5, Flash 10
	Audio format	MP3/WMA/AAC etc.
	Image format	JPEG, BMP, PNG
Audio	Speaker	2W x 2
Communication	Bluetooth	EDR 4.0
	Wi-Fi	802.11 b/g/n 2.4GHz
	Ethernet	10/100 LAN
General information	Color	Black
	I/O	RJ45 x 1; USB x 4; SD slot x 1; Micro-USB x 1; 3.5mm audio x 1; Recover x 1; RS232 x 2; GPIO support
	AV capability	Front facing camera 2 MP fixed focus (Optional)
	Included in Box	Tablet, power adaptor, power cable
	Sensors	G-sensor
	Consumption	32W
	Power input	12V 5A
	Operating environment	Operating: 32°F to 104°F (0°C to 40°C); Storage: -4°F to 122°F (-20°C to 50°C) Operating: 20%-80%; Storage: 10%-95%
	Certification	CE, FCC, ROHS
	Language	Multi language
	VESA	VESA 100

Dimension	Size (w x D x H)	534.5 x 326 x 47.6326mm
	Product weight	3.8kg
	Gift box size	582 x 422 x 114mm
	Master carton size	601 x 446 360mm
	Master carton weight	16.7kg
	Units per master carton	3pcs

